

# Middletown Lamp Post

Burial Installation



Middletown

EMT12

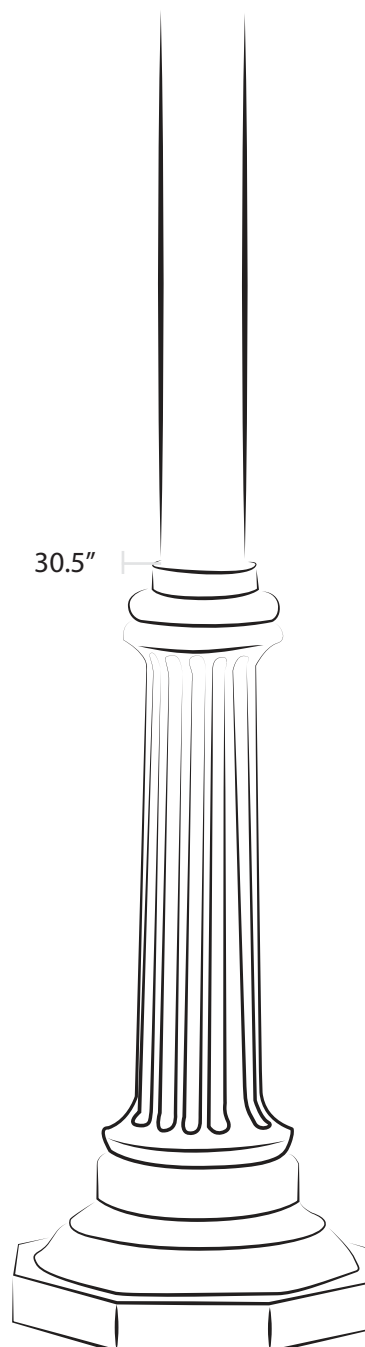
# Middletown Lamp Post

## Product Overview:

- Burial Installation
- Cast aluminum base
- 3.5" outside diameter extruded smooth aluminum post
- Includes a reducing collar to accept a 3" outside diameter post mount lamp
- Available in 8' to 12' lengths

## Finish Options:

- Available in all finishes



16"

Middletown

EMT12

