

ESTATE

The Old Allegheny

Item 3701

Elegant yet rugged, our Old Allegheny Lamp was a familiar fixture in early American cities and settlements. Its large, four-sided design conveys functionality while its foundry-cast construction can withstand the gales of the Eastern Seaboard. Simple lines make the Old Allegheny ideal for traditional styles, especially when enhanced by the subtle sparkle of beveled panes.



Post Mount



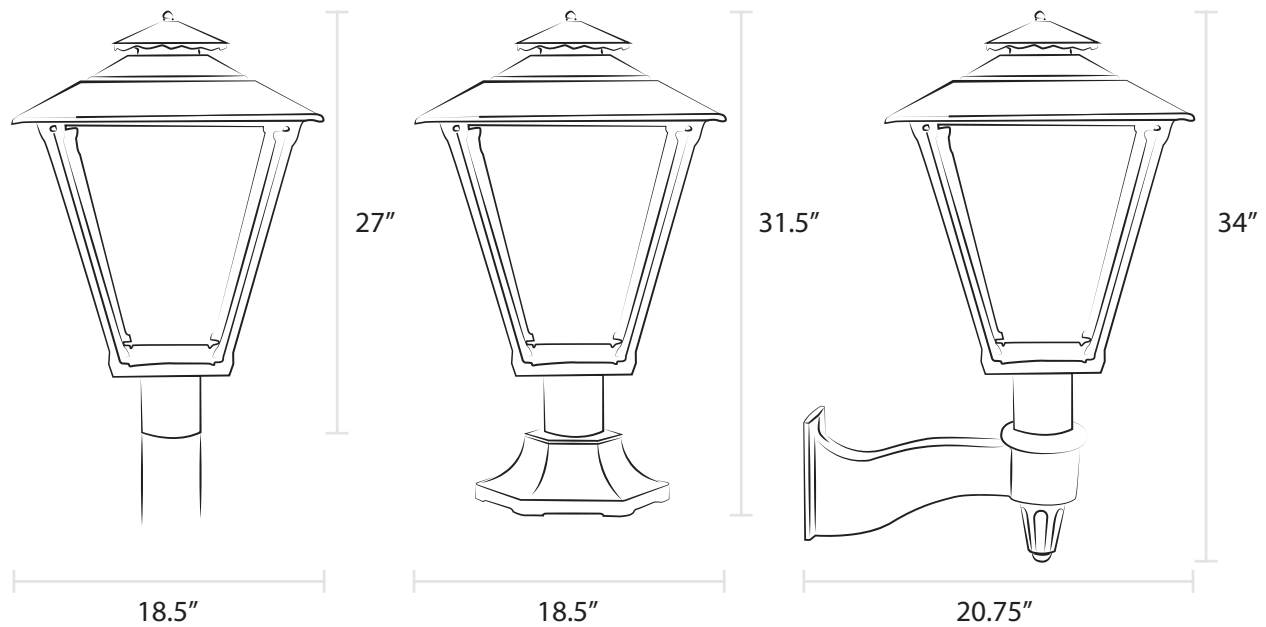
Wall Mount



Pier Mount

As shown with Universal finial

The Old Allegheny



Product Overview:

- Sand cast aluminum
- Certified valve
- Flat tempered glass included; additional glass options available*
- Universal finial included; decorative finials available*

Installation Options:

- Post mount fits standard 3" outside diameter post
- For wall mount, combine with our Universal Bracket
- For pier mount, combine with our Large Six-Sided Pier Mount with 3" outside diameter stud

Illumination Options:



Mantle Gas



Open Flame Gas



GasGlow® LED*



Candelabra Base

Finish Options:

- Available in all finish options

**Additional charges may apply*

