

ESTATE

# The Victorian

Item 4200

A cottage version of the Boulevard, our Victorian Lamp recalls the European heritage of gas street lighting but with the straightforward, distinctive strength of American design. Standing 35 inches tall, the Victorian lamp offers transition between full-sized estate lamps and smaller residential-sized lamps and is ideal for historic restoration.



Post Mount



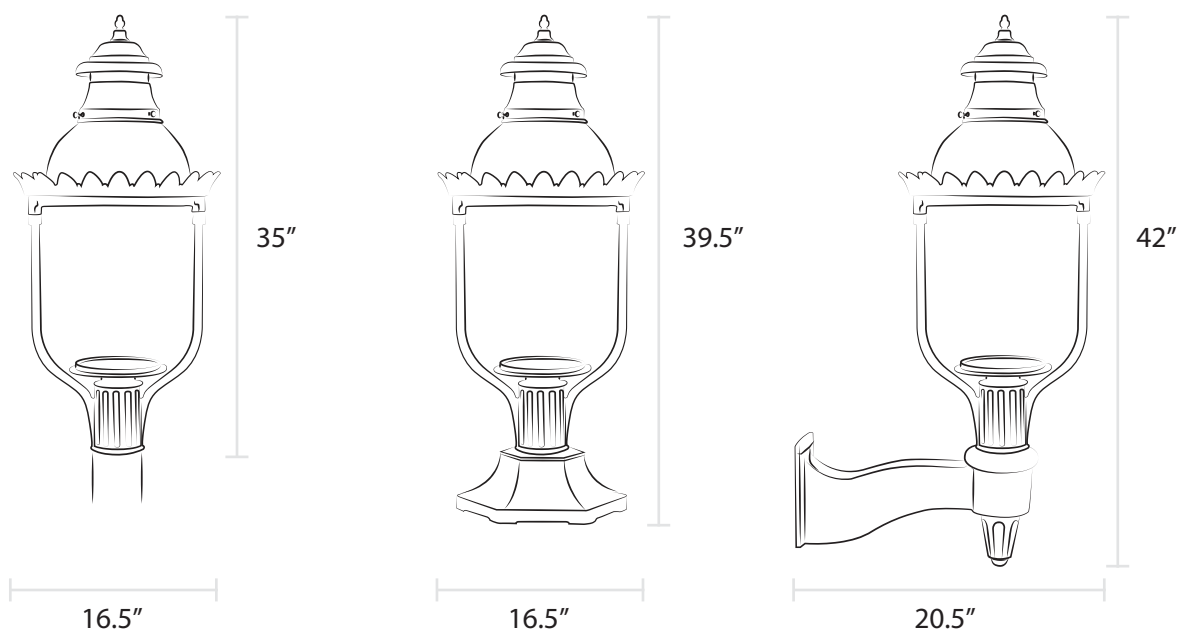
Wall Mount



Pier Mount

*As shown with Spun Aluminum Ventilator and Milk Glass Dome*

# The Victorian



## Product Overview:

- Sand cast aluminum
- Certified valve
- Globe available in clear glass, milk glass or polycarbonate
- Top dome available in milk glass or spun aluminum; spun aluminum dome is available natural or in any of our powder finishes
- Ventilator available in natural spun aluminum or powder finished aluminum

## Installation Options:

- Post mount fits standard 3" outside diameter post
- For wall mount, combine with our Universal Bracket
- For pier mount, combine with our Large Six-Sided Pier Mount with 3" outside diameter stud

## Illumination Options:



Mantle Gas



Open Flame Gas



GasGlow® LED\*



Candelabra Base

## Finish Options:

- Available in all finish options

*\*Additional charges may apply*

