

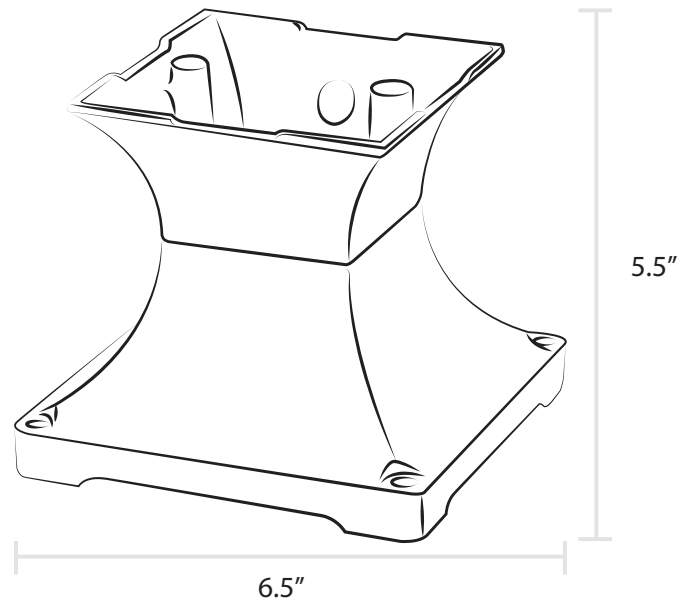
Four-Sided Pier Mount

Model RM1

Our Four-Sided Pier Mount works in any setting from classic to contemporary and can be paired with any of our smaller four-sided lamps.



Four-Sided Pier Mount



Product Overview:

- Can be paired with any of our smaller four-sided lamps
- Sand cast aluminum with access door for line connections

Finish Options:

- Available in all finishes

Lamps:

This mount is recommended specifically for:

- The Contemporary
- The Essex
- The Washington
- The Westmoreland

